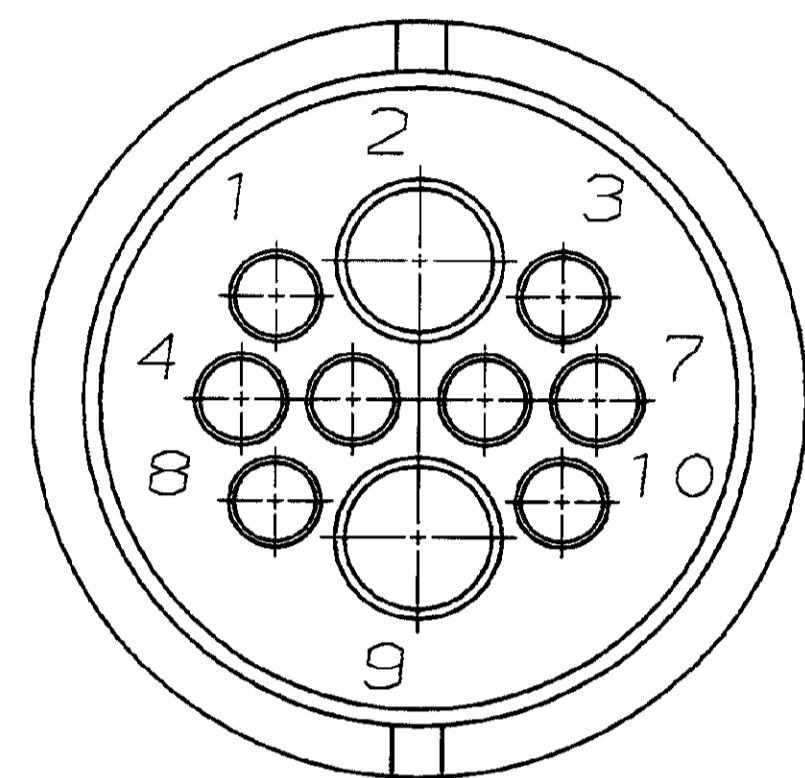
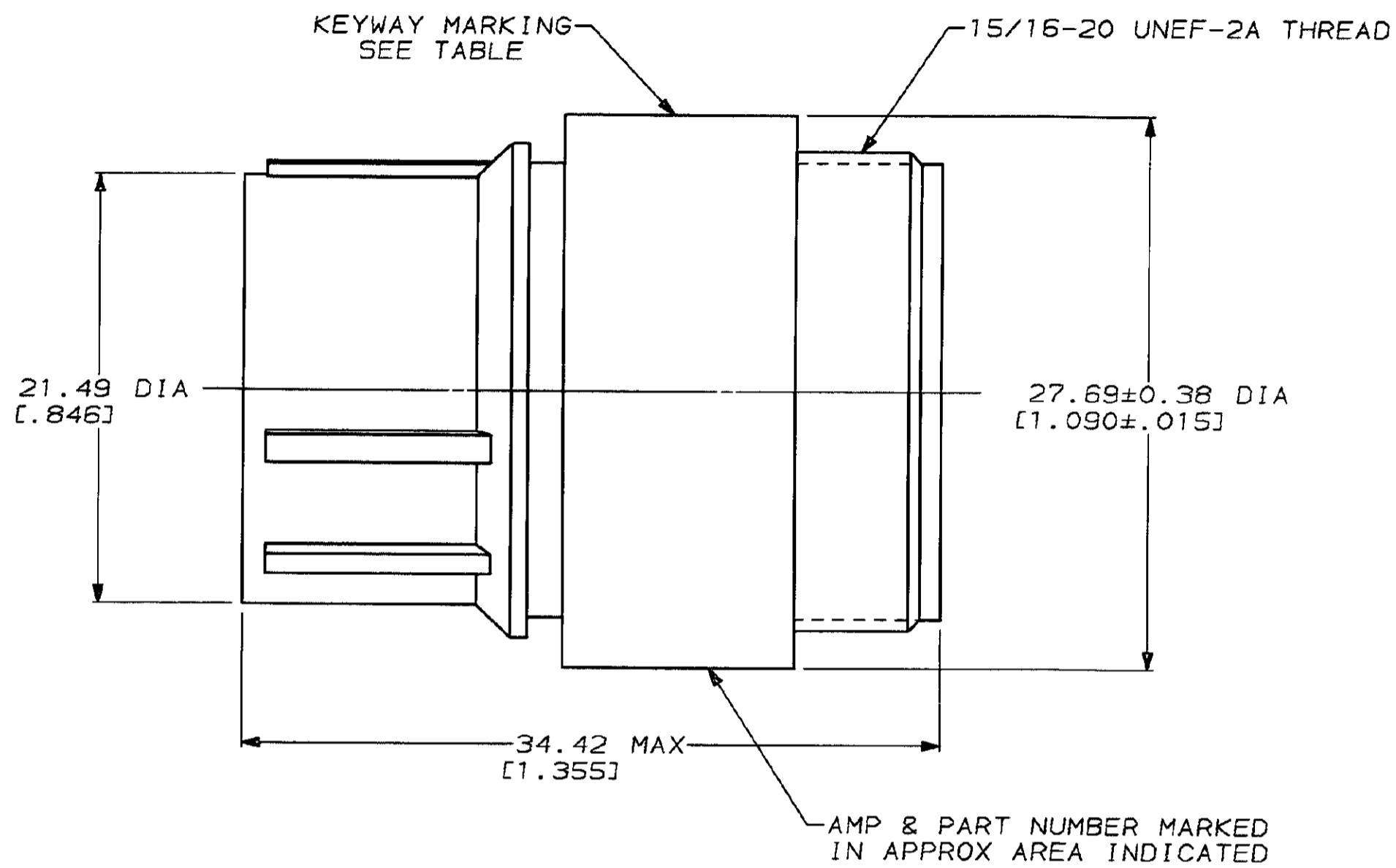


MOD	LOC	DIST	P	F	ZONE	LTR	DESCRIPTION	DATE	APPD
4	BD	35					0 RELEASED -3 NPR 2564	11/03/89	-
							A OBSOLETE -2 EC 0020-271-93	08/03/93	AF



- THIS PLUG WILL ACCEPT 2 TYPE 1, SIZE 12 PIN CONTACTS AND 8 MULTIMATE PIN CONTACTS.
 - MAXIMUM WIRE INSULATION ACCEPTED BY THIS PLUG IS 2.67[.105] DIAMETER FOR MULTIMATE PIN CONTACTS.
- 3 WHITE STRIPE INDICATES MAJOR KEYWAY.
4 WHITE DOT INDICATES MAJOR KEYWAY.

OBSOLETE	4	213130-3
	3	213130-2
	-	213130-1
	KEYWAY MARKING	PART NO

DO NOT SCALE PRINT. UNLESS SPECIFIED DIMENSIONS IN mm [INCHES] TOLERANCES ON: 2 PLC DEC ± 0.13 [0.005] 3 PLC DEC ± - ANGLES ± -		DR 11/03/89 S. WELDON		AMP AMP INCORPORATED Harrisburg, Pa. 17105	
MATERIAL UL 94V-0 RATED, NYLON BLACK		CHK 11-8-89 R. STONE			
FINISH -		APPD 11-8-89 M. KAPEZYNSKI		NAME PLUG, CPC, ARRANGEMENT 17-10M, REVERSE SEX, SERIES 4, CLASS A	
APPLICATION SPEC -		APPD 11-8-89 G. J. SACUNAS		DRAWING NO 213130	
WEIGHT -		PRODUCT SPEC -		CAGE CODE 00779	
		SCALE 4:1		SHEET 1 OF 1	